

# SAC-5P-MINT/2XMIN VP - T distributor



1543977

<https://www.phoenixcontact.com/us/products/1543977>

Please be informed that the data shown in this PDF document is generated from our online catalog. Please find the complete data in the user documentation. Our general terms of use for downloads are valid.

T distributor, 5-position, unshielded, Plug straight 7/8"-16UNF, on Socket straight 7/8"-16UNF and Socket straight 7/8"-16UNF, Parallel distributor



## Commercial data

Item number	1543977
Packing unit	1 pc
Minimum order quantity	1 pc
Sales key	BF10
Product key	AF1GCA
GTIN	4046356106528
Weight per piece (including packing)	99.6 g
Weight per piece (excluding packing)	98.4 g
Customs tariff number	85366990
Country of origin	DE

1543977

<https://www.phoenixcontact.com/us/products/1543977>

## Technical data

### Product properties

Product type	T-distributor
Number of positions	5
No. of cable outlets	2
Shielded	no
Thread type	7/8"

### Insulation characteristics

Overvoltage category	II
Degree of pollution	3

### Electrical properties

Insulation resistance	$\geq 100 \text{ M}\Omega$
Nominal voltage $U_N$	250 V
Nominal current $I_N$	10 A (at 25 °C)

### Signaling

Status display	no
Status display present	no

### Material specifications

Flammability rating according to UL 94	HB
Seal material	TPU
Material of grip body	TPU
Contact material	CuZn
Contact surface material	Au
Contact carrier material	PA
Material for screw connection	Zinc die-cast, nickel-plated

### Connector

#### Connection 1

Type	Plug straight 7/8"-16UNF
------	--------------------------

#### Connection 2

Type	Socket straight 7/8"-16UNF
------	----------------------------

#### Connection 3

Type	Socket straight 7/8"-16UNF
------	----------------------------

### Mechanical properties

#### Mechanical data

Insertion/withdrawal cycles	$\geq 100$
-----------------------------	------------

# SAC-5P-MINT/2XMIN VP - T distributor



1543977

<https://www.phoenixcontact.com/us/products/1543977>

## Environmental and real-life conditions

### Ambient conditions

Degree of protection	IP65
	IP67
Ambient temperature (operation) (male connector/female connector)	-40 °C ... 80 °C (Plug / socket)

# SAC-5P-MINT/2XMIN VP - T distributor

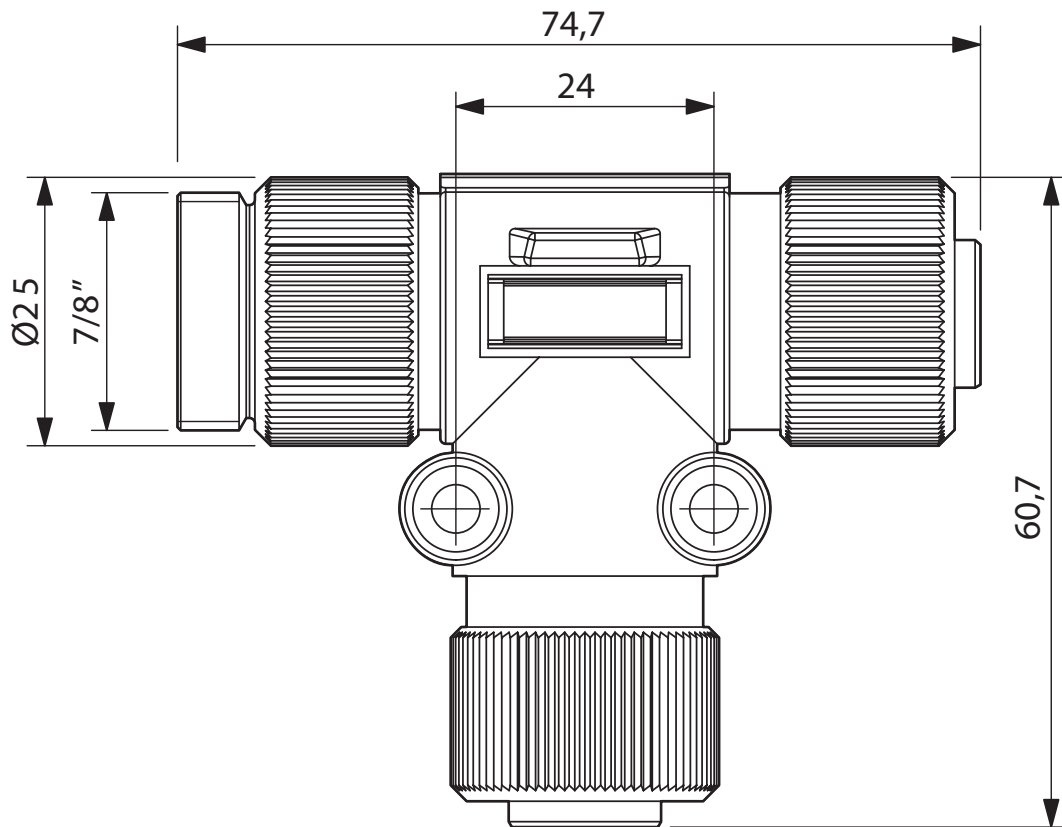


1543977

<https://www.phoenixcontact.com/us/products/1543977>

## Drawings

Dimensional drawing



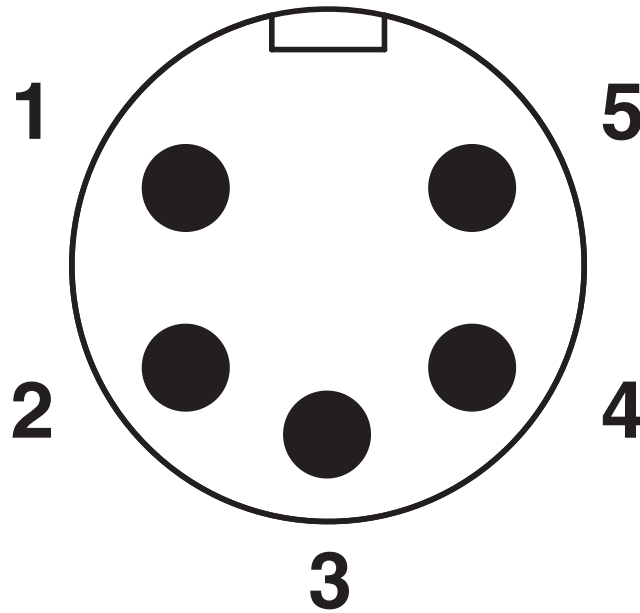
T distributor 7/8", top view

# SAC-5P-MINT/2XMIN VP - T distributor

1543977

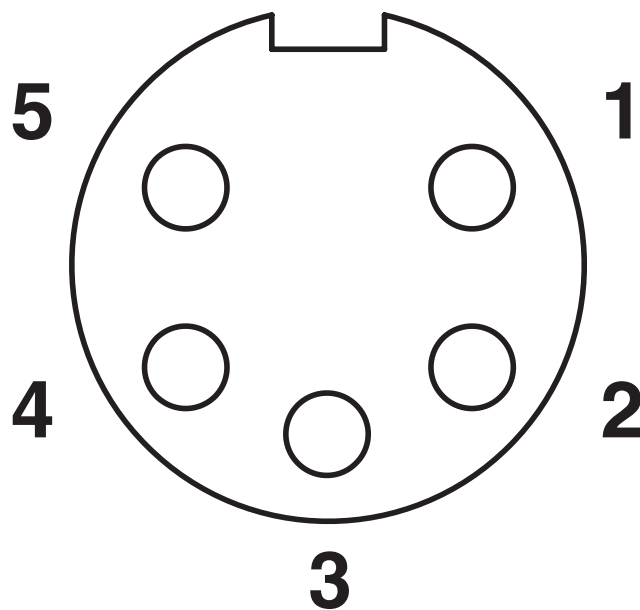
<https://www.phoenixcontact.com/us/products/1543977>

Schematic diagram



Pin assignment, plug, 7/8"-16UNF, 5-pos., view of male side

Schematic diagram



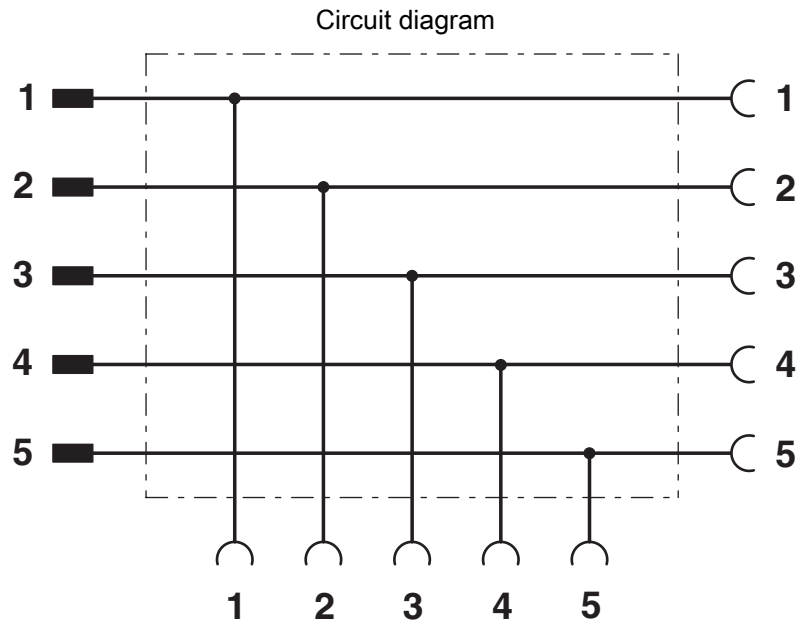
Pin assignment, socket, 7/8"-16UNF, 5-pos., view of female side

# SAC-5P-MINT/2XMIN VP - T distributor



1543977

<https://www.phoenixcontact.com/us/products/1543977>



Contact assignment of the 7/8" T distributor

# SAC-5P-MINT/2XMIN VP - T distributor



1543977

<https://www.phoenixcontact.com/us/products/1543977>

## Classifications

### ECLASS

ECLASS-13.0	27440106
ECLASS-15.0	27440106

### UNSPSC

UNSPSC 21.0	31251500
-------------	----------

# SAC-5P-MINT/2XMIN VP - T distributor



1543977

<https://www.phoenixcontact.com/us/products/1543977>

## Environmental product compliance

### EU RoHS

Fulfills EU RoHS substance requirements	Yes
Exemption	6(c)

### China RoHS

Environment friendly use period (EFUP)	EFUP-50
	An article-related China RoHS declaration table can be found in the download area for the respective article under "Manufacturer declaration". For all articles with EFUP-E, no China RoHS declaration table issued and required.

### EU REACH SVHC

REACH candidate substance (CAS No.)	Lead(CAS: 7439-92-1)
-------------------------------------	----------------------

Phoenix Contact 2026 © - all rights reserved  
<https://www.phoenixcontact.com>

Phoenix Contact USA  
586 Fulling Mill Road  
Middletown, PA 17057, United States  
(+717) 944-1300  
[info@phoenixcon.com](mailto:info@phoenixcon.com)