

AI 70 -20 YE - Ferrule

3201848

<https://www.phoenixcontact.com/us/products/3201848>

Please be informed that the data shown in this PDF document is generated from our online catalog. Please find the complete data in the user documentation. Our general terms of use for downloads are valid.

Ferrule, Length contact range: 20 mm, sleeve length: 37 mm, color: yellow



Your advantages

- The ferrules with plastic sleeve are made from soft tin-plated electrolytic copper
- The insulation reliability of close connections is increased and the splicing of wires is prevented

Commercial data

Item number	3201848
Packing unit	25 pc
Minimum order quantity	25 pc
Sales key	BH34
Product key	BH3411
GTIN	4017918156923
Weight per piece (including packing)	4.588 g
Weight per piece (excluding packing)	4.37 g
Customs tariff number	85369010
Country of origin	DE

Technical data

Product properties

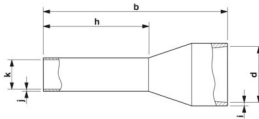
Product type	Cable end sleeve
Product property	Made from soft tin-plated electrolytic copper
	Correspond to the requirements of DIN 46228-4 and UL 486F in terms of size
	Plastic collar made of polypropylene
	Halogen-free
	Long/short-term temperature: +105°C/+120°C

Connection data

Conductor connection

Conductor cross-section flexible max.	70 mm ²
Conductor cross-section AWG max.	2/0
Stripping length	25 mm

Dimensions

Dimensional drawing	
Sleeve length	37 mm
Length contact range	20 mm
Maximum stripping length	25 mm
Ferrule diameter	12.7 mm
Sleeve wall thickness	0.35 mm
Insulating collar thickness	0.6 mm
Inner dimensions of the insulating collar	16 mm

Material specifications

Color	yellow (RAL 1018)
Material	CU-DHP
Flammability rating according to UL 94	HB
Coating	galvanically tin-plated
Surface characteristics	Tin-plated
Components	free from silicone and halogen

Mechanical properties

Technical data

Sleeve length	37 mm
---------------	-------

AI 70 -20 YE - Ferrule

3201848

<https://www.phoenixcontact.com/us/products/3201848>



Environmental and real-life conditions

Ambient conditions

Permanent temperature	105 °C (-40 °C no load / 0 °C dynamic load)
Short-term temperature	120 °C

Drawings

Dimensional drawing



Sleeve length (b), length contact range (h), insulating collar inner dimension (d), sleeve diameter (k), insulating collar thickness (i), sleeve wall thickness (j)

AI 70 -20 YE - Ferrule

3201848

<https://www.phoenixcontact.com/us/products/3201848>



Classifications

ECLASS

ECLASS-13.0	27400201
ECLASS-15.0	27400201

ETIM

ETIM 10.0	EC000005
-----------	----------

UNSPSC

UNSPSC 21.0	27121700
-------------	----------

AI 70 -20 YE - Ferrule



3201848

<https://www.phoenixcontact.com/us/products/3201848>

Environmental product compliance

EU RoHS

Fulfills EU RoHS substance requirements	Yes, No exemptions
---	--------------------

China RoHS

Environment friendly use period (EFUP)	EFUP-E
	No hazardous substances above the limits

EU REACH SVHC

REACH candidate substance (CAS No.)	No substance above 0.1 wt%
-------------------------------------	----------------------------

EF3.1 Climate Change

CO2e kg	0.041 kg CO2e
---------	---------------

Phoenix Contact 2026 © - all rights reserved
<https://www.phoenixcontact.com>

Phoenix Contact USA
586 Fulling Mill Road
Middletown, PA 17057, United States
(+717) 944-1300
info@phoenixcon.com