

# UDK-RELG 4 - Basic terminal block

2777056

<https://www.phoenixcontact.com/us/products/2777056>

Please be informed that the data shown in this PDF document is generated from our online catalog. Please find the complete data in the user documentation. Our general terms of use for downloads are valid.



The figure shows versions with a different no. of positions

Basic terminal blocks with test pick-off on both sides and double connections with the same potential for NS 32 and NS 35/7,5 DIN rail, with end cover, for ST-REL..., ST-OV..., and ST-OE... plugs, 4-pos.

## Commercial data

Item number	2777056
Packing unit	10 pc
Minimum order quantity	1 pc
Sales key	C460
Product key	DK61B4
GTIN	4017918068646
Weight per piece (including packing)	66.22 g
Weight per piece (excluding packing)	60.738 g
Customs tariff number	85366990
Country of origin	TR

# UDK-RELG 4 - Basic terminal block

2777056

<https://www.phoenixcontact.com/us/products/2777056>

## Technical data

### Product properties

Product type	Relay socket
Number of positions	4

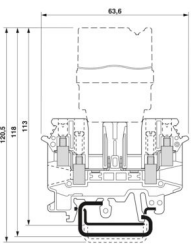
### Electrical properties

Nominal voltage $U_N$	400 V (voltage is determined by the coupling connector.)
Nominal current $I_N$	16 A (current is determined by the coupling connector.)

### Connection data

Connection method	Screw connection
Stripping length	7 mm
Screw thread	M3
Conductor cross-section rigid	0.2 mm <sup>2</sup> ... 4 mm <sup>2</sup>
Conductor cross-section flexible	0.2 mm <sup>2</sup> ... 4 mm <sup>2</sup>
Conductor cross-section AWG	24 ... 12

### Dimensions

Dimensional drawing	
Width	27 mm (with cover)
Height	63.6 mm
Depth	113 mm

### Material specifications

Color	gray (RAL 7042)
Insulating material	PA

### Environmental and real-life conditions

#### Ambient conditions

Ambient temperature (operation)	-20 °C ... 50 °C
Ambient temperature (storage/transport)	-20 °C ... 70 °C

### Mounting

Mounting type	DIN rail mounting
---------------	-------------------

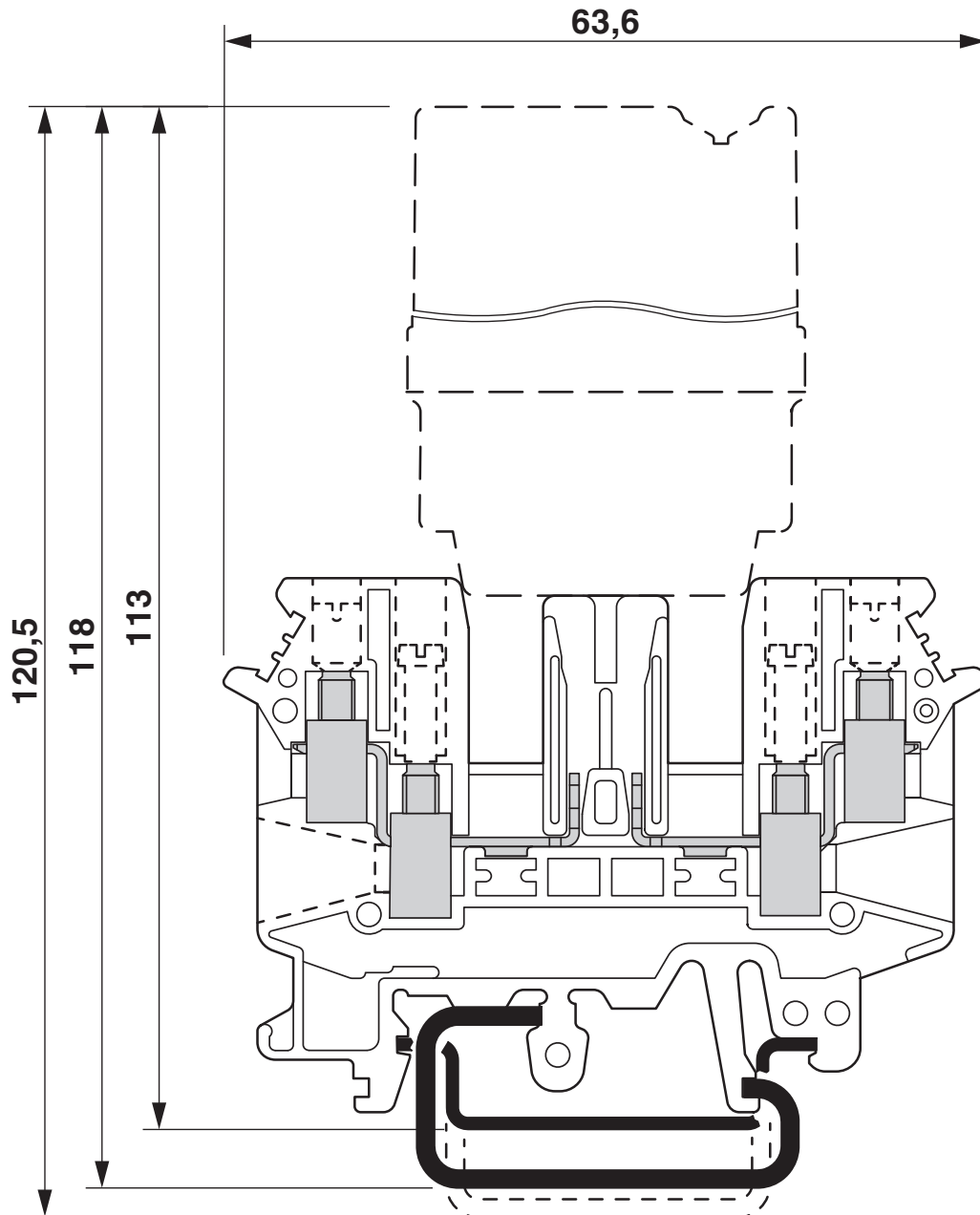
# UDK-RELG 4 - Basic terminal block

2777056

<https://www.phoenixcontact.com/us/products/2777056>

## Drawings

Dimensional drawing

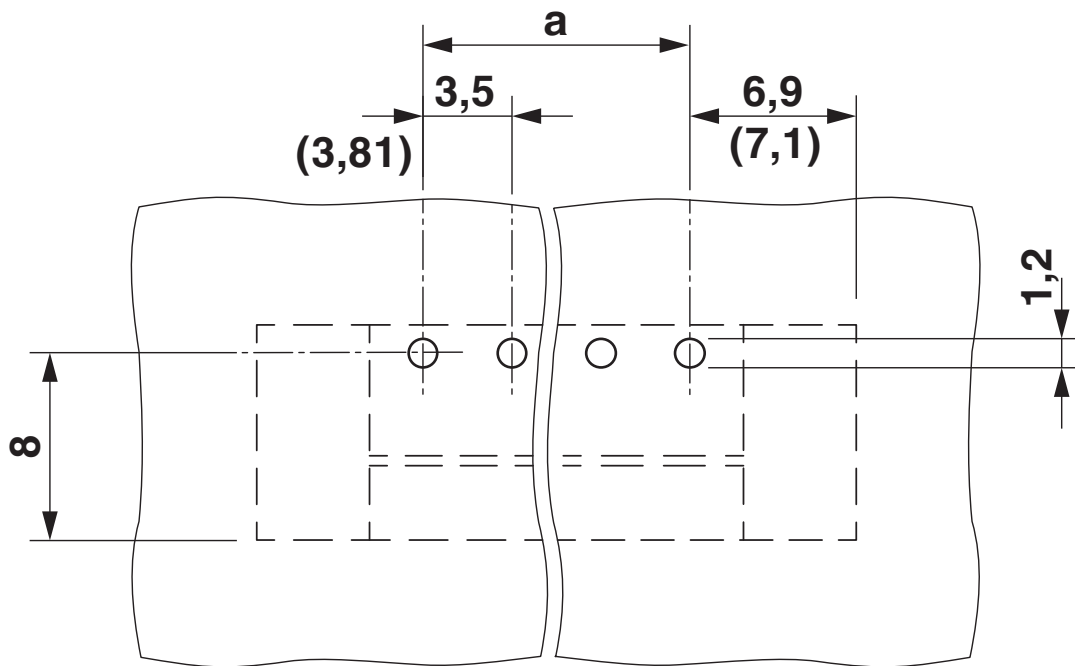


# UDK-RELG 4 - Basic terminal block

2777056

<https://www.phoenixcontact.com/us/products/2777056>

Schematic diagram



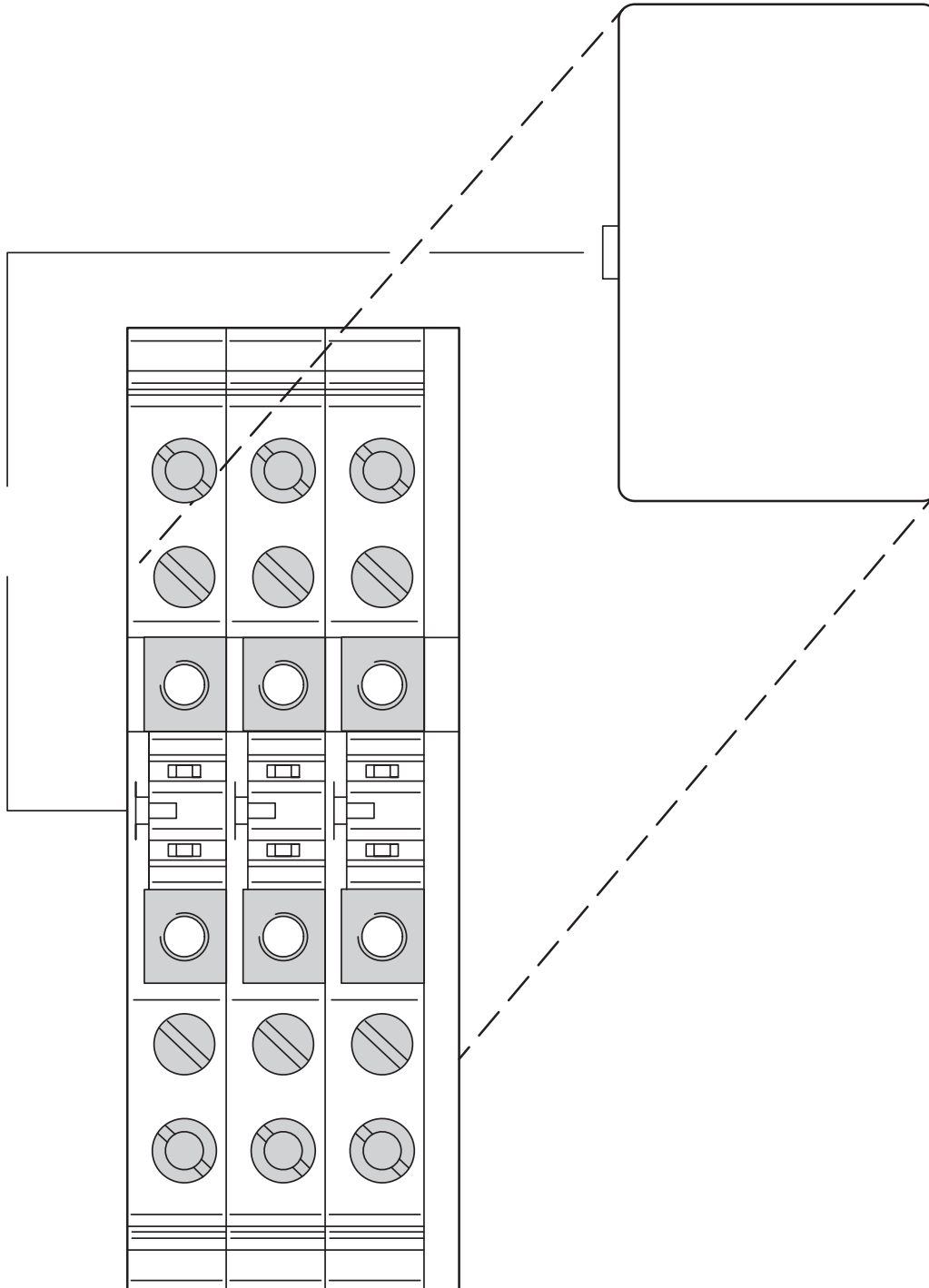
1-3 = fixed bridge, cross connection rail, spacer

# UDK-RELG 4 - Basic terminal block

2777056

<https://www.phoenixcontact.com/us/products/2777056>

Schematic diagram



- 1 = Coupling connector
- 2 = Coding
- 3 = Cover
- 4 = Basic termination block

# UDK-RELG 4 - Basic terminal block





2777056

<https://www.phoenixcontact.com/us/products/2777056>

## Approvals

To download certificates, visit the product detail page: <https://www.phoenixcontact.com/us/products/2777056>

 <b>cUL Recognized</b> Approval ID: FILE E 60425				
	Nominal voltage $U_N$	Nominal current $I_N$	Cross section AWG	Cross section $\text{mm}^2$
keine				
	300 V	15 A	30 - 12	-

 <b>UL Recognized</b> Approval ID: FILE E 60425				
	Nominal voltage $U_N$	Nominal current $I_N$	Cross section AWG	Cross section $\text{mm}^2$
keine				
	300 V	15 A	30 - 12	-

# UDK-RELG 4 - Basic terminal block



2777056

<https://www.phoenixcontact.com/us/products/2777056>

## Classifications

### ECLASS

ECLASS-13.0	27371603
ECLASS-15.0	27371603

### ETIM

ETIM 10.0	EC001456
-----------	----------

### UNSPSC

UNSPSC 21.0	39122300
-------------	----------

# UDK-RELG 4 - Basic terminal block



2777056

<https://www.phoenixcontact.com/us/products/2777056>

## Environmental product compliance

### EU RoHS

Fulfills EU RoHS substance requirements	Yes
Exemption	6(c)

### China RoHS

Environment friendly use period (EFUP)	EFUP-50
	An article-related China RoHS declaration table can be found in the download area for the respective article under "Manufacturer declaration". For all articles with EFUP-E, no China RoHS declaration table issued and required.

### EU REACH SVHC

REACH candidate substance (CAS No.)	Lead(CAS: 7439-92-1)
SCIP	ebf64773-4d47-4f5d-b522-562b88c95257

Phoenix Contact 2026 © - all rights reserved

<https://www.phoenixcontact.com>

Phoenix Contact USA  
586 Fulling Mill Road  
Middletown, PA 17057, United States  
(+717) 944-1300  
[info@phoenixcon.com](mailto:info@phoenixcon.com)