

CK4,0-ED-1,50BU AG - Crimp contact



1663271

<https://www.phoenixcontact.com/us/products/1663271>

Please be informed that the data shown in this PDF document is generated from our online catalog. Please find the complete data in the user documentation. Our general terms of use for downloads are valid.



Crimp contact, series: HC-M-03, Socket, turned, contact diameter: 4 mm, rated current: 40 A, connection cross section: 1.5 mm² ... 1.5 mm², AWG 16...16, contact material: Cu alloy

Commercial data

Item number	1663271
Packing unit	25 pc
Minimum order quantity	25 pc
Sales key	BF65
Product key	AF7AIE
GTIN	4017918123086
Weight per piece (including packing)	2.42 g
Weight per piece (excluding packing)	2.42 g
Customs tariff number	85366990
Country of origin	DE

CK4,0-ED-1,50BU AG - Crimp contact



1663271

<https://www.phoenixcontact.com/us/products/1663271>

Technical data

Notes

Notes on the product family	for HC-M-02, HC-M-03, HC-M-03/04, HC-M-04, HC-Q02, HC-Q03, HC-Q04, and HC-COM-Q4/2 contact carriers
Assembly note	The quality of a crimp connection is determined by DIN EN 60352-2.
Assembly note	Note on crimp connection technology: For flexible wires only. The specified conductor cross-sections refer to the nominal cross-section of the cable used. The wiring space of the crimp connection technology is designed for fine-stranded cables in accordance with VDE 0295 Class 5. Deviating cable structures (e.g., Class 1.2 and 6 or AWG cables) should be checked before use.

Product properties

Product type	Crimp contact
Series	HC-M-03 HC-M-03/04 HC-M-04 HC-K HC-M-02 HC-HS HC-COM
Contact material type	turned

Connection data

Connection technology

Contact connection type	Socket
Connection method	Crimp connection

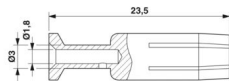
Conductor connection

Stripping length	9 mm
Connection cross section	1.5 mm ² ... 1.5 mm ²
Connection cross section AWG	16 ... 16

Material specifications

Material Contact	Cu alloy
Material Contact surface	Ag

Dimensions

Dimensional drawing	
---------------------	--

CK4,0-ED-1,50BU AG - Crimp contact



1663271

<https://www.phoenixcontact.com/us/products/1663271>

Diameter (Contact diameter)	4 mm
-----------------------------	------

Electrical properties

Rated current	40 A (Take into account the derating of the contact insert used. The rated current corresponds to the maximum possible connection cross-section.)
---------------	---

Mechanical properties

Mechanical data

Insertion/withdrawal cycles	≥ 500
-----------------------------	-------

Environmental and real-life conditions

Ambient conditions

Ambient temperature (operation)	-40 °C ... 125 °C
---------------------------------	-------------------

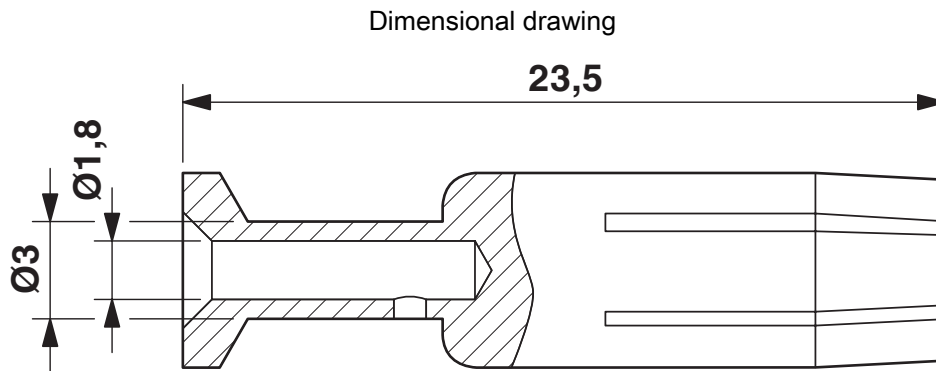
CK4,0-ED-1,50BU AG - Crimp contact



1663271

<https://www.phoenixcontact.com/us/products/1663271>

Drawings



Dimensional drawing

CK4,0-ED-1,50BU AG - Crimp contact



1663271

<https://www.phoenixcontact.com/us/products/1663271>

Approvals

To download certificates, visit the product detail page: <https://www.phoenixcontact.com/us/products/1663271>



EAC

Approval ID: RU C-DE.AI30.B.01102

CK4,0-ED-1,50BU AG - Crimp contact



1663271

<https://www.phoenixcontact.com/us/products/1663271>

Classifications

ECLASS

ECLASS-13.0	27440204
ECLASS-15.0	27440204

ETIM

ETIM 10.0	EC000796
-----------	----------

UNSPSC

UNSPSC 21.0	39121500
-------------	----------

CK4,0-ED-1,50BU AG - Crimp contact



1663271

<https://www.phoenixcontact.com/us/products/1663271>

Environmental product compliance

EU RoHS

Fulfills EU RoHS substance requirements	Yes, No exemptions
---	--------------------

China RoHS

Environment friendly use period (EFUP)	EFUP-E
	No hazardous substances above the limits

EU REACH SVHC

REACH candidate substance (CAS No.)	No substance above 0.1 wt%
-------------------------------------	----------------------------

EF3.1 Climate Change

CO2e kg	0.093 kg CO2e
---------	---------------

Phoenix Contact 2026 © - all rights reserved
<https://www.phoenixcontact.com>

Phoenix Contact USA
586 Fulling Mill Road
Middletown, PA 17057, United States
(+717) 944-1300
info@phoenixcon.com